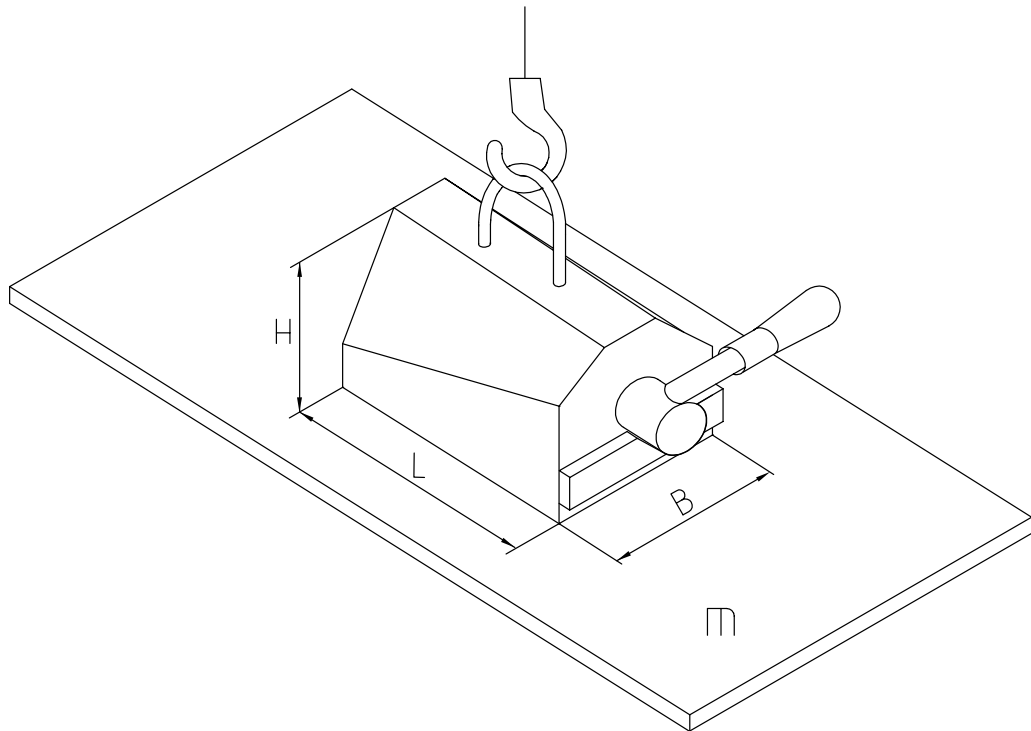




Permanent hefmagneet
 Dauerlastmagnet
 Permanent lifting magnet
 Laimant de levage permanenta



TYPE	m	L	B	H	WEIGHT
MAGNA 12	125	93	60	10	2.6
MAGNA 25	250	152	100	164	10
MAGNA 50	500	246	120	164	20
MAGNA 100	1000	305	140	216	40
MAGNA 200	2000	480	165	251	90

∅ MIN. / MAX.	m ∅
50 / 100	40
60 / 200	125
65 / 270	250
100 / 300	500
150 / 350	1000

m=kg $\left| \begin{array}{c} \text{mm} \\ \hline \text{m} \end{array} \right| = \text{S235JR (ST37)}$
 Alterations reserved

10D50203