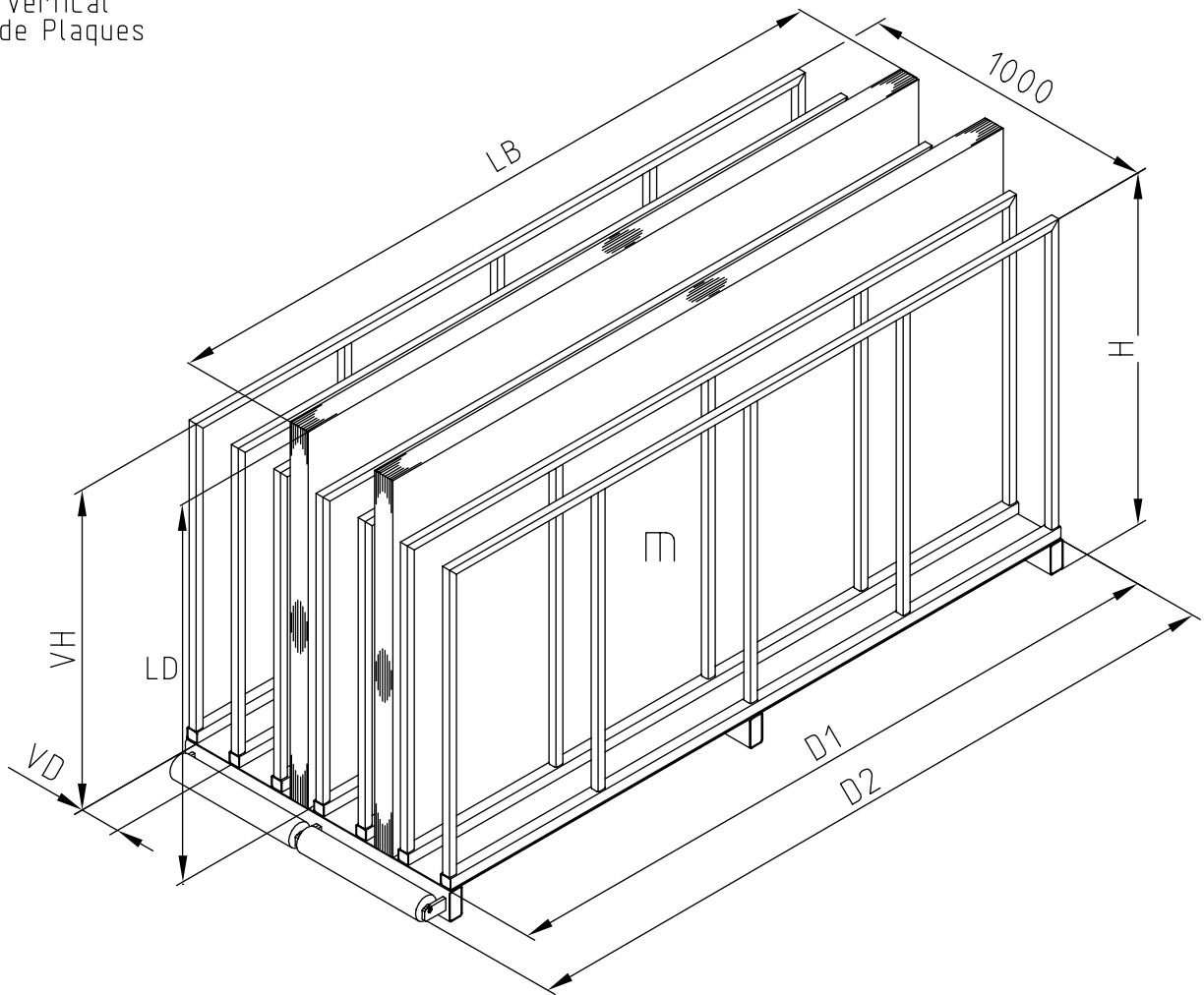




Plaatstelling vertikaal
 Blechlagersystem vertikal
 Platerack vertical
 Stockage de Plaques



LBxLD	VH	H	D1	D2
2000x1000	750	850	2000	2120
2500x1250	1000	1100	2500	2620
3000x1500	1250	1350	3000	3120

V	VD	m
6	120	2000
8	80	1500
10	56	1200
12	40	1000

TYPE AANDUIDING, TYPBEZEICHNUNG, TYPE INDICATION, TYPE DESCRIPTION :

VERTO-6V200-250X125

AFMETING, ABMESSUNG, MEASUREMENTS, DIMENSIONS, VHxVD.
 AANTAL VAKKEN, ANZAHL FÄCHER, NUMBER OF COMPARTMENTS,
 NOMBRE DE COMPARTIMENTS.
 BELASTING PER VAK, BELASTUNG PRO FACH, LOAD PER COMPARTMENT,
 CHARGE PAR COMPARTIMENT 2000 KG.
 UITVOERING, AUSFUHRUNG, SYSTEM, TYPE.

m=kg $\frac{mm}{| \leftarrow \rightarrow |}$

Alterations reserved

13D50101