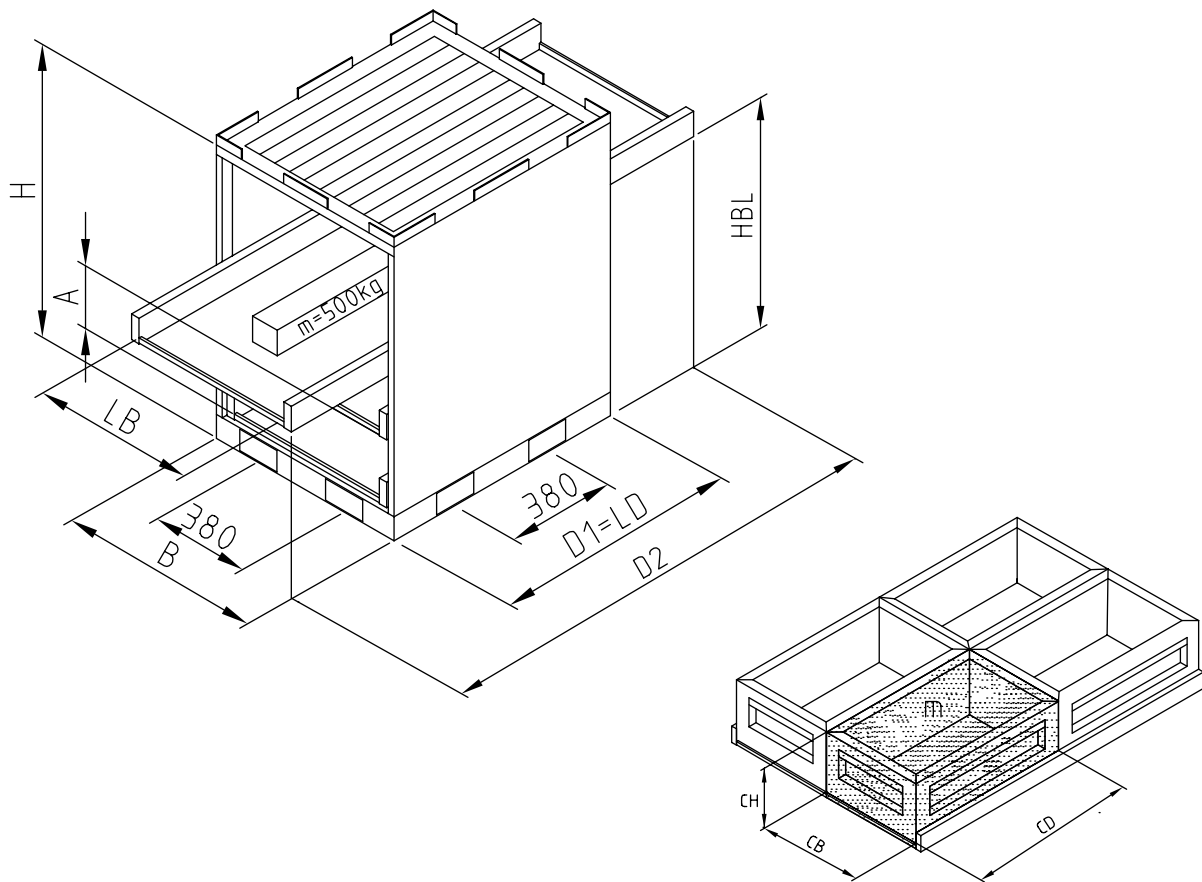




Interne transportunit
 Interne Transporteinheit
 Internal Transportunit
 Unite de Transport interne



| TRACO - C | | | | |
|-----------|-----|-----|-----|----|
| CB | CD | CH | LTR | m |
| 396 | 594 | 280 | 43 | 50 |

| TRACO | | | | | |
|-------|------|------|------|------|------|
| LB | LD | H | B | D1 | D2 |
| 800 | 1210 | 1430 | 1040 | 1210 | 2260 |

| | m | A | HBL |
|----|-----|-----|------|
| 2L | 500 | 620 | 799 |
| 4L | 500 | 302 | 1115 |
| 6L | 500 | 196 | 1219 |

TYPE AANDUIDING, TYPBEZEICHNUNG, TYPE INDICATION, TYPE DESCRIPTION:

TRACO - 4L50 - 80x120

AFMETING, ABMESSUNG, MEASUREMENTS, DIMENSIONS, LBxLD=800x1200.
 AANTAL LADEN, ANZAHL SCHUBLADEN, NUMBER OF DRAWERS, NOMBRE DES TIROIRS, L=4.
 BELASTING PER LADE, BELASTUNG PRO SCHUBLADE, CAPACITY PER DRAWER,
 CHARGE PAR TIROIR 500 KG.
 UITVOERING, AUSFUHRUNG, SYSTEM, TYPE.

m=kg Alterations reserved

50D50101